

**CHARACTERISTICS**

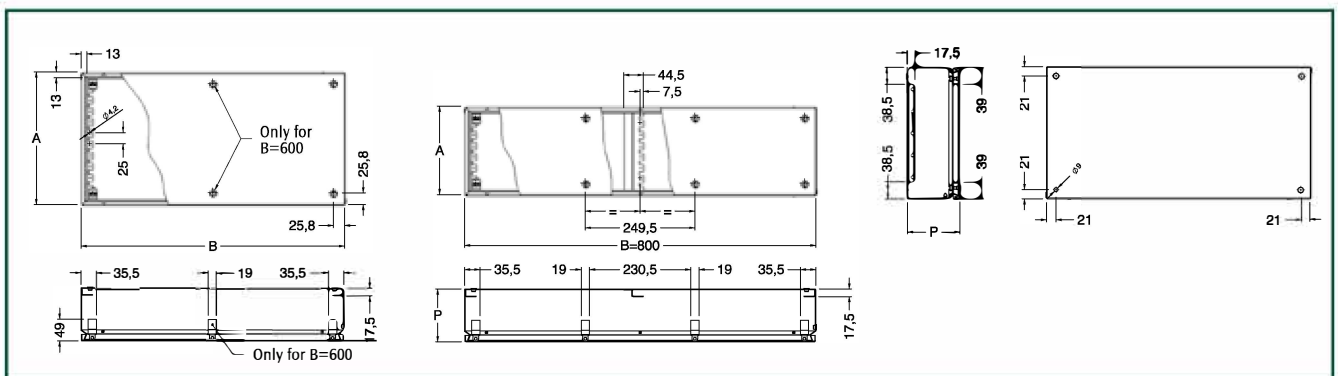
Box and lid manufactured from 1.2 mm thick sheet steel. Box provided with holes for fixing optional hinges and lid fixed with captive screws.

**PAINT FINISH**

ETA standard epoxy polyester powder coating.  
Colour: RAL 7035 textured finish.

**PROTECTION RATING**

- IP66 complying with IEC EN62208; EN62262
- NEMA 4 complying with UL508A; UL50
- protection degree guaranteed by the two-component polyurethane foam seal
- impact resistance IK10 complying with IEC EN62208; EN62262.



Boxes

**TERMINAL BOXES**

SDV CODE	DIMENSIONS		
	B	A	P
TB1108	150	150	80
TB2208	200	200	80
TB3208	300	200	80
TB4208	400	200	80
TB5208	500	200	80
TB6208	600	200	80
TB8208	800	200	80
TB1112	150	150	120
TB2212	200	200	120
TB3112	300	150	120
TB3212	300	200	120
TB3312	300	300	120
TB4212	400	200	120
TB4312	400	300	120
TB4412	400	400	120
TB5212	500	200	120
TB5312	500	300	120
TB6212	600	200	120
TB6312	600	300	120
TB6412	600	400	120
TB8212	800	200	120
TB8412	800	400	120

Note: to be ordered separately: mounting plate and/or DIN rails (refer to page 179).