



## BRILLANT 230

The BRILLANT 230 is a wet abrasive cut-off machine with fine dynamic, manual wheel movement into samples up to  $\varnothing$  110 mm.

The spacious cutting chamber allows various clamping variations. The solid aluminium design comes with openings on the right and left hand side for cutting continuous long parts.

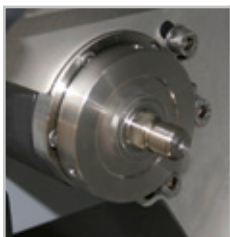


### FINE DYNAMIC CUT-OFF

With the manual cutting movement, the cutting force is regulated through a set of gears. The cut is thereby jerk-free and more precise.

### MANUAL HORIZONTAL MOVEMENT

The manual horizontal movement allows cutting long parts longitudinally and easy positioning of the sample below the cut-off wheel.



### INNOVATIVE DETAILS

The sliding front door and the side door with safety interlock allow easy and optimal access to the cutter chamber. Further, the LED cutting chamber illumination is energy-saving. The arbour is protected against wearing by an interchangeable ring.

### Z-AXIS

The manual Z-axis can be adjusted with 0.1 mm precision for parallel cuts.

## BASIC MODULE



## BRILLANT 230



Order No.: M1820000

- » precise manual vertical movement with angle adjustable lever
- » table adjustable in x-direction
- » sliding door and side door with door interlock
- » T-slot table, stainless steel
- » opening on left- and righthand side for continuous long materials
- » chamber illumination with LED, arbour with protector
- » Easy-nut – for easy change of cut-off wheel
- » solid aluminium design, powder coated

## EQUIPMENT

## POWER SUPPLY



Equipment 1

400 V/50 Hz (3Ph/N/PE)

Order No.: A1820015

Equipment 2

480 V/60 Hz (3Ph/PE)

Order No.: A1820016

Equipment 3

220 V/60 Hz (3Ph/PE)

Order No.: A1820017

## WHEEL GUARD



Equipment 1

**Cut-off wheel Ø 254/10"**

Order No.: A1820013

Max. cutting capacity Ø 85 mm

Equipment 2

**Cut-off wheel Ø 305/12"**

Order No.: A1820014

Max. cutting capacity Ø 110 mm



Manual Z-axis

## TABLE DRIVE



Equipment 1

**without** (without X-axis, without Z-axis)

Order No.: A1820028

Equipment 3

**Z-axis manual** (without X-axis)

Order No.: A1820030

Equipment 2

**X-axis manual** (without Z-axis)

Order No.: A1820029

Equipment 4

**X-axis manual/Z-axis manual**

Order No.: A1820031

## OPTION



## LASER ALIGNMENT AID



Order No.: A1820027

- » laser line to visualize the cutting line
- » laser class 1

## ACCESSORIES



## RECIRCULATION COOLING SYSTEM

- » 2-chamber-pvc-compartment 45 ltr.
- » inlet sieve and filter bag

- » incl. connection set
- » controlled by cut-off machine

**Mobile with insertion mechanism for System Lab cabinets**

400 V/50 Hz (3Ph/PE)

Order No.: A5800484

480 V/60 Hz (3Ph/PE)

Order No.: A5800485

220 V/60 Hz (3Ph/PE)

Order No.: A5800486

WxHxD

366x540(640)  
x610 mm**Mobile**

400 V/50 Hz (3Ph/PE)

Order No.: A5800487

480 V/60 Hz (3Ph/PE)

Order No.: A5800488

220 V/60 Hz (3Ph/PE)

Order No.: A5800489

WxHxD

366x550x600mm

## BELT FILTER SYSTEM 130

**Belt filter system 130**

400 V/50 Hz (3Ph/PE)

Order No.: A6501009

480 V/60 Hz (3Ph/PE)

Order No.: A6501011

220 V/60 Hz (3Ph/PE)

Order No.: A6501010

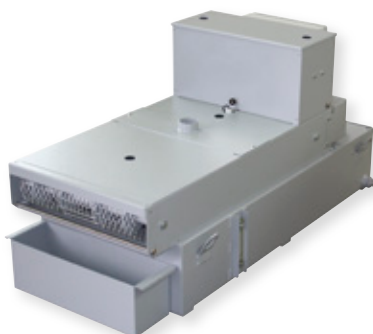
**Connection set 230/250**

Order No.: Z6501004

- » for belt filter system please order connection set

- » incl. filter roll

Tank	130 ltr.
Filter capacity	30 Ltr./min (referring emulsion)
Pump	15 ltr./min
WxHxD	607x632x1308 mm
Weight ~	90 kg



## CENTRIFUGAL SEPARATOR



- » to remove coolant mist
- » increases quality of illumination
- » exhauster power 180 or 215 m<sup>3</sup>/h depends on power supply

400 V/50 Hz (3Ph/PE)

Order No.: Z1820009

480 V/60 Hz (3Ph/PE)

Order No.: Z1820012

220 V/60 Hz (3Ph/PE)

Order No.: Z1820011



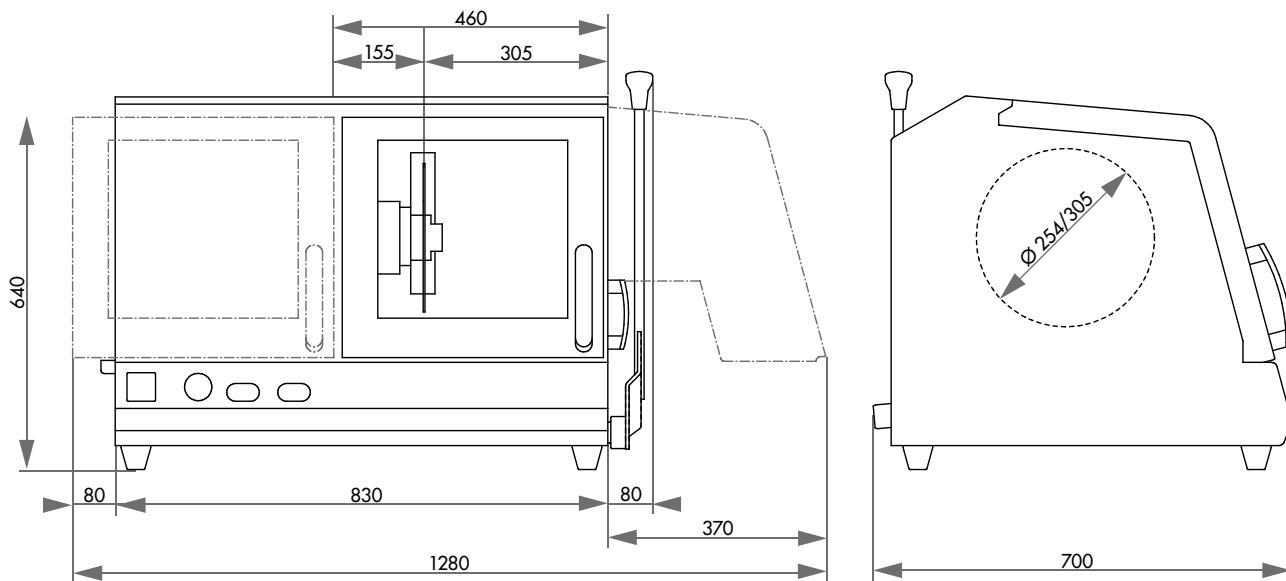
## SPECIFICATIONS

Max. cutting capacity	1	Ø 85 mm (Ø 254 mm cut-off wheel)
	2	Ø 110 mm (Ø 305 mm cut-off wheel)
Cut-off wheel	1	Ø 254 mm/10"
	2	Ø 305 mm/12"
Arbour size	Ø 32 mm	
Vertical movement	125 mm	

Speed	2750 rpm	
Motor cut-off wheel	4 kW, S1-mode	
Connected load	6 kVA	
Power supply	1	400 V/50 Hz (3Ph/N/PE)
	2	480 V/60 Hz (3Ph/PE)
	3	220 V/60 Hz (3Ph/PE)

Table WxD	1	380x250 mm (without Z-axis)
	2	300x250 mm (with Z-axis)
T-slot	12 mm	

WxD	830 x 640 x 670 mm	
Weight ~	130 kg	



Clamping example