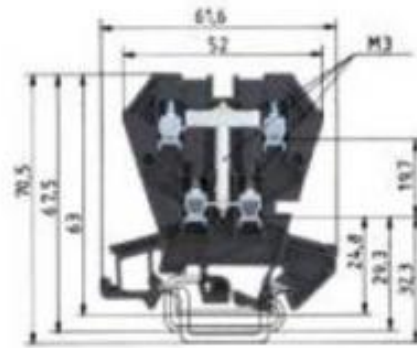


Datasheet

Art.No. 57.404.6955.1

Multi-tier terminal WK 4E/UVB SW/V0

Multi-tier terminal block with screw connection for mounting on TS 35 and TS 32, nominal cross section 4 mm², width 6 mm, color black



Art.No.	57.404.6955.1
EAN	4015573506077
Order unit	100 pieces

Approvals



Technical data

General

Nominal cross section	4 mm ²
Colour	Black
Number of levels	2
Number of clamp positions per level	2
Width/grid dimension	6 mm
Insulating housing	PA666
Inflammability class of insulation material acc. with UL94	V0
Explosion-tested version "Ex e"	No
Mounting method	DIN rail (top hat rail)/G-rail
Terminal blocks for electrical installations	No

Technical data

Rated current	32 A
Rated voltage	400 V
Rated impulse voltage	6 kV
Pollution degree	3
Closing plate required	Yes
Type of insulation material	Thermoplastic
Length	61.6 mm

Connection Data

Connection type 1	Screw connection
Connection type 2	Screw connection

Minimum cross section solid	0.5 mm ²
Maximum cross section solid	4 mm ²
Minimum cross section fine stranded	0.5 mm ²
Maximum cross section fine stranded	4 mm ²
Wire strip length	9 mm
Torque conductor mounting	0.5 Nm

Technical Data UL/CSA

Cross section UL	22-10 AWG
Voltage UL	300 V
Current factory wiring	20 A
Current field wiring	20 A
Cross section CSA	20-12 AWG
Voltage CSA	300 V
Current CSA	10 A

Accessories

Art.No.:	Type:	Description
04.326.2953.8	Cover with marking facility AD VB 4 / 15 YELLOW	Cover with marking facility for cross connector for DIN rail terminal blocks type WK ...
04.342.2656.8	Cover AD VB 6 / 10 E YELLOW	Cover for cross connector for DIN rail terminal blocks type WK ...
07.311.4055.0	End plate AP 4 E /V0	End plate for DIN rail terminal blocks type WK ..., color gray
07.311.5055.0	Partition TW 4 E /V0	Partition for DIN rail terminal blocks type WK ..., color gray
98.190.0000.0	Mounting rail G-32 EN60715 2000MM	Mounting rail G 32, unslotted, Höhe 5,5 mm, length 2 m, material steel. galv. zinc-plated and dichromated
98.190.1000.0	Mounting rail G-32 EN60715 2000MM	Mounting rail G 32, slotted, Höhe 15 mm, length 2 m, material steel. galv. zinc-plated and dichromated
98.210.0000.0	Mounting rail G-32 EN60715 2000MM	Mounting rail G 32, unslotted, Höhe 15 mm, length 2 m, material Aluminium
98.220.0000.0	Mounting rail G-32 EN60715 2000MM	Mounting rail G 32, unslotted, Höhe 15 mm, length 2 m, material E copper
98.300.0000.0	Mounting rail 35x27x7,5EN60715 2000MM	Mounting rail TS 35, unslotted, size 7,5 mm, length 2 m, material steel. galv. zinc-plated and dichromated
98.300.1000.0	Mounting rail 35x27x7,5EN60715 2000MM	Mounting rail TS 35, slotted, size 7,5 mm, length 2 m, material steel. galv. zinc-plated and dichromated
98.300.1900.0	Mounting rail 35x27x7,5EN60715 2000MM	Mounting rail TS 35, slotted, size 7,5 mm, length 2 m, material steel. galv. zinc-plated and dichromated
98.360.0000.0	Mounting rail 35x24x15 EN60715 2000MM	Mounting rail TS 35, unslotted, size 15 mm, length 2 m, material steel. galv. zinc-plated and dichromated
98.360.0004.0	Mounting rail 35x24x15 EN60715 2000MM	Mounting rail TS 35, unslotted, size 15 mm, length 2 m, material steel, hot galvanized
98.370.0000.0	Mounting rail 35x27x15(EN60715)2000MM	Mounting rail TS 35, unslotted, size 15 mm, length 2 m, material steel. galv. zinc-plated and dichromated
98.370.1000.0	Mounting rail 35x27x15(EN60715)2000MM	Mounting rail TS 35, slotted, size 15 mm, length 2 m, material steel. galv. zinc-plated and dichromated
98.380.0000.0	Mounting rail 35x24x15 EN60715 2000MM	Mounting rail TS 35, unslotted, size 15 mm, length 2 m, material E copper
Z5.522.1321.0	End bracket 9008 U	End clamp for mounting rail TS 32
Z5.522.2423.0	End bracket 9008	End clamp for mounting rail TS 32
Z5.522.7053.0	End bracket 9708	End clamp for mounting rail TS 32
Z5.522.7453.0	End bracket 9708 / S35	End clamp for mounting rail TS 35
Z5.522.8553.0	End bracket 9708 / 2 S 35	End clamp for mounting rail TS 35
Z5.523.5653.0	End bracket WE 2 / U	End clamp for mounting rail TS 35 and TS 32
Z5.523.5753.0	End bracket WE 1 / U	End clamp for mounting rail TS 35 and TS 32
Z5.523.9353.0	End bracket WEF 1 / 35	End clamp, schraubenlos for mounting rail TS 35

Z7.256.4227.0	Jumper bar IVBS WK4 E - 2	Jumper comp, insulated for DIN rail terminal blocks type WK ..., 2 -pole
Z7.256.4327.0	Jumper bar IVBS WK4 E - 3	Jumper comp, insulated for DIN rail terminal blocks type WK ..., 3 -pole
Z7.256.4427.0	Jumper bar IVBS WK4 E - 4	Jumper comp, insulated for DIN rail terminal blocks type WK ..., 4 -pole
Z7.256.4527.0	Jumper bar IVBS WK4 E - 5	Jumper comp, insulated for DIN rail terminal blocks type WK ..., 5 -pole
Z7.256.4627.0	Jumper bar IVBS WK4 E - 6	Jumper comp, insulated for DIN rail terminal blocks type WK ..., 6 -pole
Z7.256.4727.0	Jumper bar IVBS WK4 E - 7	Jumper comp, insulated for DIN rail terminal blocks type WK ..., 7 -pole
Z7.256.4827.0	Jumper bar IVBS WK4 E - 8	Jumper comp, insulated for DIN rail terminal blocks type WK ..., 8 -pole
Z7.256.4927.0	Jumper bar IVBS WK4 E - 9	Jumper comp, insulated for DIN rail terminal blocks type WK ..., 9 -pole
Z7.256.5027.0	Jumper bar IVBS WK4 E - 10	Jumper comp, insulated for DIN rail terminal blocks type WK ..., 10 -pole
Z7.256.5127.0	Jumper bar IVBS WK4 E - 11	Jumper comp, insulated for DIN rail terminal blocks type WK ..., 11 -pole
Z7.256.5227.0	Jumper bar IVBS WK4 E - 12	Jumper comp, insulated for DIN rail terminal blocks type WK ..., 12 -pole



Drawings

